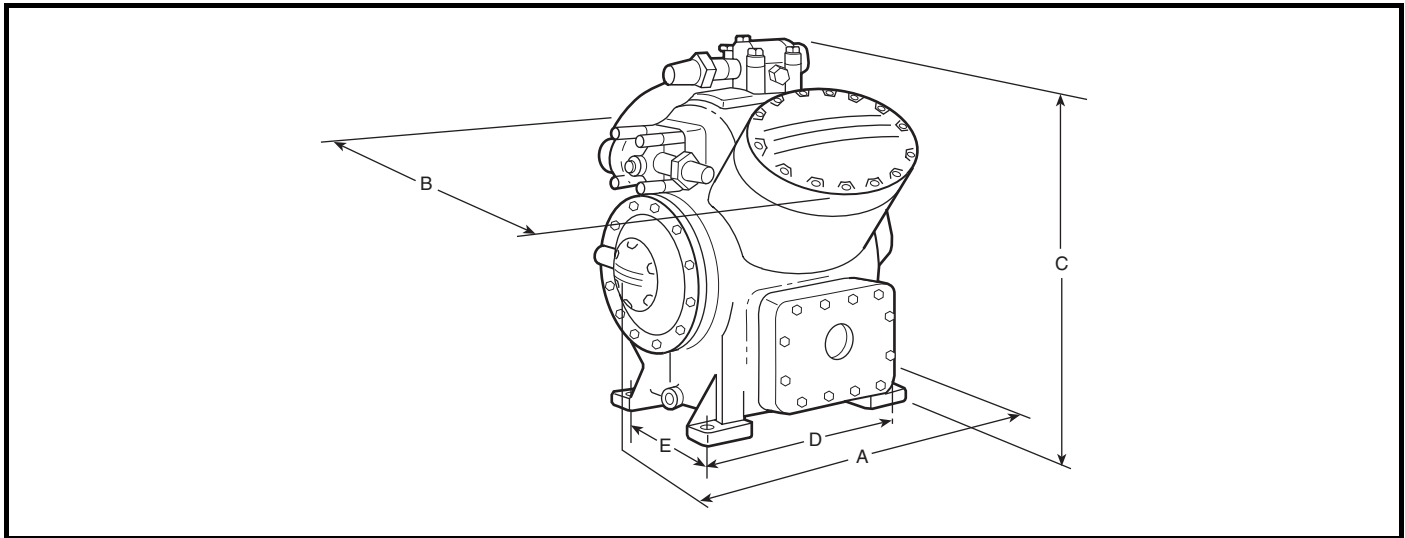


# Physical data and dimensions



## BARE COMPRESSORS

COMPRESSOR	5F				5H				5H			
	20	30	40	60	40	60	80	120	46	66	86	126
OPER WT (lb)	175	215	355	400	610	795	1115	1580	610	795	1115	1580
COMPRESSOR												
Nom Hp	3-10	5-15	7.5-20	10-30	20-50	30-75	40-100	60-150	40-60	60-100	75-125	125-200
Displ Cfm at 1750 Rpm	19.0	29.8	39.8	59.6	92.4	138.4	184.7	276.8	115.5	173.0	231.0	346.0
Cylinders	2	3	4	6	4	6	8	12	4	6	8	12
Oil (pt)	5	5.5	12	13	18	21	41	61	18	21	41	61
Bore (in.)	2 <sup>1</sup> / <sub>2</sub>				3 <sup>1</sup> / <sub>4</sub>							
Stroke (in.)	2				2 <sup>3</sup> / <sub>4</sub>				3 <sup>7</sup> / <sub>16</sub>			
Max Rpm	1750											
Min Rpm	400 (Required for proper lubrication)											
Min Rpm, Cap. Control	600	700	800	900	800	900	1100	900	800	900	1100	900
High-Side Max Pressure	400 psig											
Low-Side Max Pressure	245 psig											
DIMENSIONS (in.)												
A	15 <sup>7</sup> / <sub>8</sub>	18	21 <sup>1</sup> / <sub>2</sub>	23 <sup>1</sup> / <sub>2</sub>	30 <sup>1</sup> / <sub>2</sub>	31 <sup>1</sup> / <sub>2</sub>	43 <sup>7</sup> / <sub>8</sub>	47	30 <sup>1</sup> / <sub>2</sub>	31 <sup>1</sup> / <sub>2</sub>	43 <sup>7</sup> / <sub>8</sub>	47
B	18 <sup>3</sup> / <sub>4</sub>	20 <sup>7</sup> / <sub>8</sub>	19	21	24 <sup>1</sup> / <sub>2</sub>	27 <sup>1</sup> / <sub>4</sub>	24 <sup>1</sup> / <sub>2</sub>	27 <sup>3</sup> / <sub>8</sub>	24 <sup>1</sup> / <sub>2</sub>	27 <sup>1</sup> / <sub>4</sub>	24 <sup>1</sup> / <sub>2</sub>	27 <sup>3</sup> / <sub>8</sub>
C	18 <sup>3</sup> / <sub>4</sub>	18	20 <sup>1</sup> / <sub>8</sub>	24 <sup>1</sup> / <sub>2</sub>	29	29 <sup>7</sup> / <sub>8</sub>	32	34 <sup>7</sup> / <sub>8</sub>	29	29 <sup>7</sup> / <sub>8</sub>	32	34 <sup>7</sup> / <sub>8</sub>
Between Mtg Hole C	5 <sup>3</sup> / <sub>4</sub>	5 <sup>3</sup> / <sub>4</sub>	12	13 <sup>7</sup> / <sub>16</sub>	15 <sup>1</sup> / <sub>2</sub>	17	29	29	15 <sup>1</sup> / <sub>2</sub>	17	29	29
D	10	10	8	8	11	11	11	11	11	11	11	11
E												
CONNECTIONS (in.)												
Suction (ODF)	1 <sup>1</sup> / <sub>8</sub>	1 <sup>5</sup> / <sub>8</sub>	1 <sup>5</sup> / <sub>8</sub>	2 <sup>1</sup> / <sub>8</sub>	2 <sup>5</sup> / <sub>8</sub>	3 <sup>1</sup> / <sub>8</sub>	3 <sup>1</sup> / <sub>8</sub>	4 <sup>1</sup> / <sub>8</sub>	2 <sup>5</sup> / <sub>8</sub>	3 <sup>1</sup> / <sub>8</sub>	3 <sup>1</sup> / <sub>8</sub>	4 <sup>1</sup> / <sub>8</sub>
Discharge (ODF)	7 <sup>1</sup> / <sub>8</sub>	1 <sup>3</sup> / <sub>8</sub>	1 <sup>3</sup> / <sub>8</sub>	1 <sup>5</sup> / <sub>8</sub>	2 <sup>1</sup> / <sub>8</sub>	3 <sup>1</sup> / <sub>8</sub>	3 <sup>1</sup> / <sub>8</sub>	4 <sup>1</sup> / <sub>8</sub>	2 <sup>1</sup> / <sub>8</sub>	3 <sup>1</sup> / <sub>8</sub>	3 <sup>1</sup> / <sub>8</sub>	4 <sup>1</sup> / <sub>8</sub>

### LEGEND

Hp — Horsepower  
ODF — Outside Diameter Female